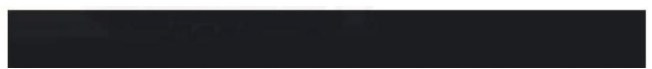


ACE INDIA'S NO. 1
CRANE BRAND





SPECIFICATIONS

Model		Units	AF 40D	AF 50D		
Load Capacity		Kg	4000#	5000		
Load Center		mm	500	600		
Power			Diesel			
Tyres	Front / Rear		Pneumatic/Solid			
Wheel (s)	Front / Rear (SD/DD) #		2/2 or 4/2			
Fork Height (std.)		mm	3000			
Fork Size (LxWxT)		mm	1070 x 125 x 45	1220 x 150 x 55		
Transmission	Number of Speeds - Fwd / Rev		1/1 (Automatic)	2 / 1 (Automatic)	2 / 2 (Manual Shift)	
Speed (s)	Travel (Fwd / Rev)	With Load	Km/h	20	22	
		Without Load	Km/h	22	24	
	Lifting	With Load	mm/Sec	360	190	
		Without Load	mm/Sec	450	205	
	Lowering	With Load	mm/Sec	550	450	
		Without Load	mm/Sec	320	440	
Gradeability (Laden/Unladen)		%	18	20/22		
Total Weight		Kg	4800	7560	8000	
Tyre Sizes		Front	28x9-15-12PR	3.00 – 15		
		Rear	6.50 – 10 – 10PR	7.00 – 12		
Wheel Base		mm	1835	2000	2150	
Brake (s)	Service		Hydraulic-Foot Pedal			
	Parking		Mechanical-Hand Lever			
Battery	Voltage / Capacity		V / Ah	12 / 70	12 / 88	
Engine	Model		S433	4805	A75 TC	
	Rated Horsepower		bhp/rpm	48.67 @ 2200	80 bhp @ 2300	74.8 bhp @ 2200
	Rated Torque		Nm(Kgm)/rpm	195 @ 1100-1500	300 / 1500	305 / 1330-1430
	Number of Cylinders			4		
	Displacement		Ltrs.	3.3	3.53	4.088
	Fuel Tank Capacity		Ltrs.	65	75	75
Operating Pressure	For Attachment		Kg / cm2 (Bar)	175	180	195

Mast Details

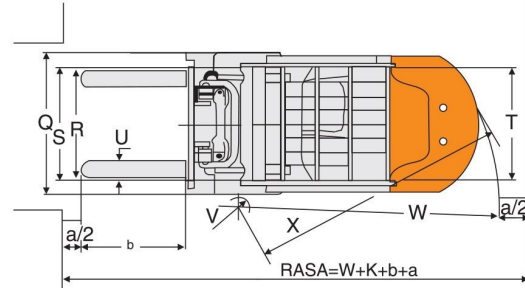
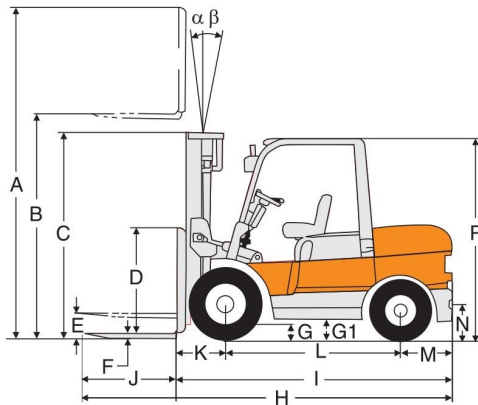
MASTTYPE	Fork Height (mm)	Load Capacity (kg)		Overall Height Lowered (mm)		Free lift (mm)		TILT ANGLE (α-β)	
		AF40D	AF50D	AF40D	AF50D	AF40D	AF50D	AF40D	AF50D
Double Mast 3 mtrs. (STD)	3000	4000	5000	2050	2210	150	150	6/12	
Double Mast 3 mtrs. (FFL) *	3000	4000	5000	2050	2210	1500	1550	6/12	
Double Mast 3.6 mtrs. (STD)	3600	4000	5000	2290	2525	150	150	6/12	
Triple Mast 4.5 mtrs (FFL) *	4500	2200/2700 # (SD/DD)	4200/4500 # (SD/DD)	2080	2225	1500	1550	6/6	
Triple Mast 6.0 mtrs (FFL)	6000	1050/1950 # (SD/DD)	2500/4000 # (SD/DD)	2600	2900	1940	1980	3/6	

* Suitable for container stuffing

FFL - Full free lift

#(SD/DD) - Single Drive / Dual Drive

#AF40D can lift 3000 kg@900mm Load centre



STANDARD DIMENSIONS

Model	AF40D		AF50D	
	Automatic		Automatic	Mechanical
A. Overall height fork raised	4230		4300	4300
B. Max. fork height (Standard Model)			3000	
C. Overall height fork lowered	2050		2210	2210
D. Backrest height (from upper face of forks)	1220		1220	1220
E. Free lift	150		150	150
F. Fork thickness	45		55	55
G. Min. clearance (bottom of mast)	120		125	125
G1. Min. clearance (bottom of chassis)	150		165	165
H. Overall length (with forks)	4025		4400	4475
I. Overall length (without forks)	2910		3180	3255
J. Fork length	1070		1220	1220
K. Front overhang	495		560	575
L. Wheel base	1835		2000	2100
M. Rear overhang	550		580	580
N. Coupler height	370		400	400
P. Overall height (overhead guard)	2150		2250	2250
Q. Overall width (SD/DD)	1220/1680		1480/1990	1480/1990
R. Lateral fork adjustment (SD/DD)	250~1090/ 250~1440		300~1380/300~2100	300~1380/300~2100
S. Trade (front) (SD/DD)	1000/1460		1175/1730	1175/1730
T. Trade (Rear)	980		1200	1200
U. Fork width	125		150	150
V. Inside turning (SD/DD)	550/900		700/1000	700/1000
W. Outside turning Radius (SD/DD)	2700/3150		2800/3100	2900/3200
X. Min. intersecting aisle	2300		3000	3200

* All dimensions are in mm.

* RASA = Right Angle Stacking Aisle, a = Operator Clearance, b = Load Length



FORKLIFTS

Forklifts

STANDARD EQUIPMENT

- Wide view mast
- Load backrest
- Standard forks
- Power steering
- Retaining rollers
- Overhead guard
- Standard seat (Adjustable)
- Drawbar pin
- Air cleaner
- Parking brake lever
- Lift, tilt levers
- Dipstick for TC oil
- Return hydraulic filter
- TC oil filter
- Lift Circuit cut-off valve
- Tilt adjustable steering wheel
- Turn indicator Lights
- Hour meter
- Water temperature meter
- Fuel meter
- Engine oil pressure warning indicator
- Electric charge indicator
- LED lights
- Rear combination lights
- Rear view mirrors
- Reverse Buzzer
- Electric horn
- Neutral safety switch (TC)
- Rubber floor mat
- Tool kit

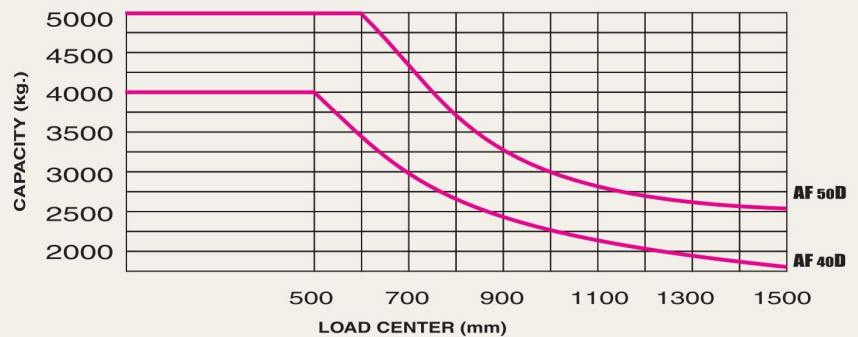
OPTIONAL EQUIPMENT

- Different Mast type (Refer Mast Details)
- Solid tyres
- All weather steel cabin
- Air conditioned operator cabin
- Spark arrester
- Front dual wheels
- Fire extinguisher
- Water muffler
- Long fork
- Oxy catalytic converters
- Auto greasing system
- Safe load Indicator
- Blue spot light
- Red safe zone light

OPTIONAL ATTACHMENTS

- Fork extensions
- Side shifter
- Hinged forks with bucket
- Bale clamp
- Rotating forks
- Crane attachment
- Ram attachment
- Drum(s) handling attachment
- Paper roll clamp
- Fork Positioner

LOAD CHART



Attachments

